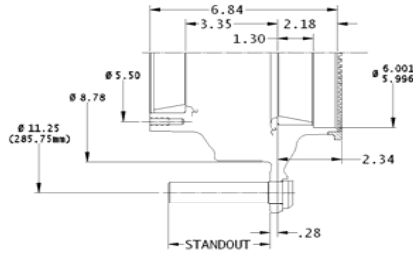


## Walther Engineering and Manufacturing Co., Inc.

Part Number	Application	Standout Lbs.	Bolts
<b>Dura-Light Hubs® TN Axle</b>			
10-00011-001	Hub Piloted/Aluminum Dual Wheel	3.73"	33 02-00014
10-00011-002	Hub Piloted/Steel Dual Wheel	2.94"	32 02-00010
10-00011-003	Stud Piloted RH/Cast Brake Drum	1.89"	30 02-00027
10-00011-004	Stud Piloted LH/Cast Brake Drum	1.89"	30 20-00028
10-00011-005	Stud Piloted RH/Fused Drum	1.63"	30 02-00031
10-00011-006	Stud Piloted LH/Fused Drum	1.63"	30 20-00032
10-00011-101	ABS Hub Piloted/Aluminum Dual Wheel	3.73"	34 02-00014
10-00011-102	ABS Hub Piloted/Steel Dual Wheel	2.94"	33 02-00010
10-00011-103	ABS Stud Piloted RH/Cast Brake Drum	1.89"	31 02-00027
10-00011-104	ABS Stud Piloted LH/Cast Brake Drum	1.89"	31 20-00028
10-00011-105	ABS Stud Piloted RH/Fused Drum	1.63"	31 02-00031
10-00011-106	ABS Stud Piloted LH/Fused Drum	1.63"	31 20-00032



**ALL WEIGHTS ARE BASED ON NOMINAL COMPONENT WEIGHT**

<b>TN Bearings</b>	
HM212011	bearing cup - outer bore
HM218210	bearing cup - inner bore
HM212049	bearing cone - outer bore
HM218248	bearing cone - inner bore

<b>Drums</b>		
03-00043	16.5 x 7" Cast Brake Drum	108 lbs
89996B	16.5 x 7" Centrifuse® Brake Drum	90 lbs

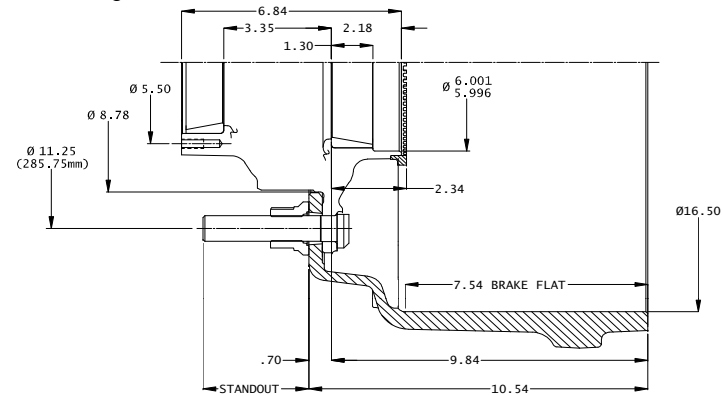
<b>Component Parts</b>		
WN333T	Okabe - Two-piece, Flanged Wheel Nut, M22x1.5	.4 lbs
02-39702	Metform - Two-piece, Flanged Wheel Nut, M22x1.5	.4 lbs

<b>Hub Dynamic Load Ratings</b>	
Wheel Offset	Load/Hub
0	11,250 lbs
0.56"	10,839 lbs
2.00"	10,000 lbs
2.38"	9,689 lbs
2.75"	9,484 lbs
3.50"	9,095 lbs
3.88"	8,910 lbs
6.66"	N/A

<b>Lubricant Fill Volumes</b>	
<b>25 fl-oz</b>	Oil Lubrication Fill Level
<b>110.31 cubic inches</b>	Vol. Between Cup Seats Including Spindle Displacement
<b>30.55 fl-oz</b>	50% Fill Level for Semi-Fluid, Including Spindle Displacement

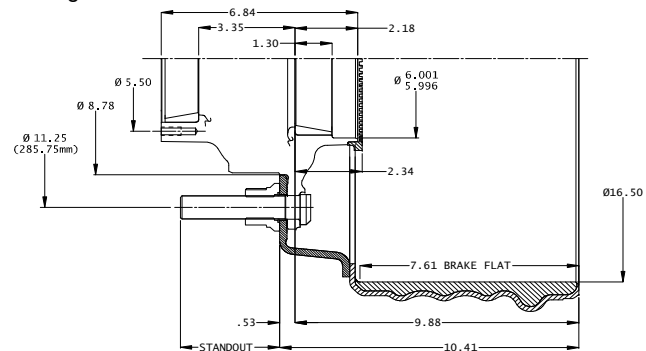
Part Number	Application	Standout Lbs.	Bolts
<b>Dura-Light Hubs® TN 16.5 x 7" Cast Brake Drum</b>			
10-00011-031*	Hub/Cast Drum Assy, HP, AL Whl	3.31"	146 02-00014
10-00011-032*	Hub/Cast Drum Assy, HP, ST Whl	2.52"	145 02-00010
10-00011-033	Hub/Cast Drum Assy, SP, RH	1.47"	143 02-00027
10-00011-034	Hub/Cast Drum Assy, SP, LH	1.47"	143 20-00028
10-00011-131*	ABS Hub/Cast Drum Assy, HP, AL Whl	3.31"	147 02-00014
10-00011-132*	ABS Hub/Cast Drum Assy, HP, ST Whl	2.52"	146 02-00010
10-00011-133	ABS Hub/Cast Drum Assy, SP, RH	1.47"	144 02-00027
10-00011-134	ABS Hub/Cast Drum Assy, SP, LH	1.47"	144 20-00028

\* Includes two flanged wheel nuts



<b>Dura-Light Hubs® TN with 16.5 x 7" Centrifuse® Brake Drum</b>			
10-00011-041*	Hub/Fused Drum Assy, HP, AL Whl	3.48"	124 02-00014
10-00011-042*	Hub/Fused Drum Assy, HP, ST Whl	2.69"	123 02-00010
10-00011-045	Hub/Fused Drum Assy, SP, RH	1.39"	121 02-00031
10-00011-046	Hub/Fused Drum Assy, SP, LH	1.39"	121 20-00032
10-00011-141*	ABS Hub/Fused Drum Assy, HP, AL Whl	3.48"	125 02-00014
10-00011-142*	ABS Hub/Fused Drum Assy, HP, ST Whl	2.69"	124 02-00010
10-00011-145	ABS Hub/Fused Drum Assy, SP, RH	1.39"	122 02-00031
10-00011-146	ABS Hub/Fused Drum Assy, SP, LH	1.39"	122 20-00032

\* Includes two flanged wheel nuts



**Walther Engineering and Manufacturing Co., Inc.**

Part Number	Application	Standout Lbs.	Bolts
<b>Dura-Light-Hubs® TP/Propar Axle</b>			
10-00039-001	Hub Piloted/Aluminum Dual Wheel	3.73"	35 02-00014
10-00039-002	Hub Piloted/Steel Dual Wheel	2.94"	34 02-00010
10-00039-003	Stud Piloted RH/Cast Brake Drum	1.89"	32 02-00027
10-00039-004	Stud Piloted LH/Cast Brake Drum	1.89"	32 20-00028
10-00039-005	Stud Piloted RH/Fused Drum	1.63"	32 02-00031
10-00039-006	Stud Piloted LH/Fused Drum	1.63"	32 20-00032
10-00039-101	ABS Hub Piloted/Aluminum Dual Wheel	3.73"	36 02-00014
10-00039-102	ABS Hub Piloted/Steel Dual Wheel	2.94"	35 02-00010
10-00039-103	ABS Stud Piloted RH/Cast Brake Drum	1.89"	33 02-00027
10-00039-104	ABS Stud Piloted LH/Cast Brake Drum	1.89"	33 20-00028
10-00039-105	ABS Stud Piloted RH/Fused Drum	1.63"	33 02-00031
10-00039-106	ABS Stud Piloted LH/Fused Drum	1.63"	33 20-00032

Part Number	Application	Standout Lbs.	Lbs.	Bolts
<b>Dura-Light Hubs® TP with 16.5 x 7" Cast Brake Drum</b>				
10-00039-031*	Hub/Cast Drum Assy,HP,AL Whl	3.31"	148	02-00014
10-00039-032*	Hub/Cast Drum Assy,HP,ST Whl	2.52"	147	02-00010
10-00039-033	Hub/Cast Drum Assy,SP,RH	1.47"	145	02-00027
10-00039-034	Hub/Cast Drum Assy, SP,LH	1.47"	145	20-00028
10-00039-131*	ABS Hub/Cast Drum Assy,HP,Al Whl	3.31"	149	02-00014
10-00039-132*	ABS Hub/Cast Drum Assy,HP,St Whl	2.52"	148	02-00010
10-00039-133	ABS Hub/Cast Drum Assy,SP,RH	1.47"	146	02-00027
10-00039-134	ABS Hub/Cast Drum Assy,SP,LH	1.47"	146	20-00028

\* Includes two flanged wheel nuts

**ALL WEIGHTS ARE BASED ON NOMINAL COMPONENT WEIGHT**

<b>TP Bearings</b>	
HM518410	bearing cup - outer bore
HM518410	bearing cup - inner bore
HM518445	bearing cone

<b>Drums</b>		
03-00043	16.5 x 7" Cast Brake Drum	108 lbs
89996B	16.5 x 7" Centrifuse® Brake Drum	90 lbs

<b>Component Parts</b>			
WN333T	Okabe - Two-piece, Flanged Wheel Nut,M22x1.5	.4 lbs	
02-39702	Metform - Two-piece, Flanged Wheel Nut,M22x1.5	.4 lbs	

<b>Hub Dynamic Load Ratings</b>		
Wheel Offset	Load/Hub	
0	12,500 lbs	
0.56"	12,043 lbs	
2.00"	11,000 lbs	
2.38"	10,765 lbs	
2.75"	10,538 lbs	
3.50"	10,105 lbs	
3.88"	9,899 lbs	
6.66"	N/A	

<b>Lubricant Fill Volumes</b>	
<b>36 fl-oz</b>	Oil Lubrication Fill Level
<b>149.75 cubic inches</b>	Vol. Between Cup Seats Including Spindle Displacement
<b>41.48 fl-oz</b>	50% Fill Level for Semi-Fluid, Including Spindle Displacement

<b>Dura-Light Hubs® TP with 16.5 x 7" Centrifuse® Brake Drum</b>				
10-00039-041*	Hub/Fused Drum Assy,HP,AL Whl	3.48"	126	02-00014
10-00039-042*	Hub/Fused Drum Assy,HP,ST Whl	2.69"	125	02-00010
10-00039-045	Hub/Fused Drum Assy,SP,RH	1.39"	123	02-00031
10-00039-046	Hub/Fused Drum Assy,SP,LH	1.39"	123	20-00032
10-00039-141*	ABS Hub/Fused Drum Assy,HP,AL Whl	3.48"	127	02-00014
10-00039-142*	ABS Hub/Fused Drum Assy,HP,ST Whl	2.69"	126	02-00010
10-00039-145	ABS Hub/Fused Drum Assy,SP,RH	1.39"	124	02-00031
10-00039-146	ABS Hub/Fused Drum Assy,SP,LH	1.39"	124	20-00032

\* Includes two flanged wheel nuts