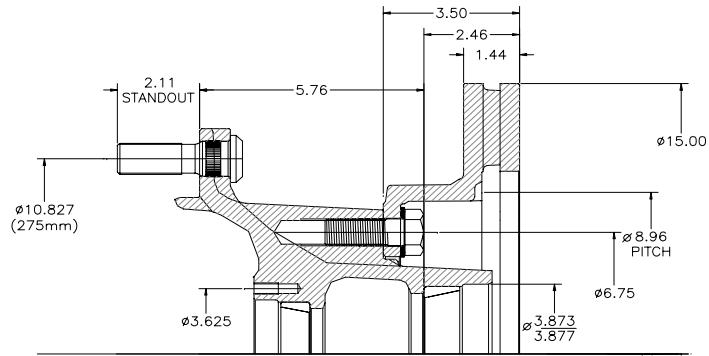
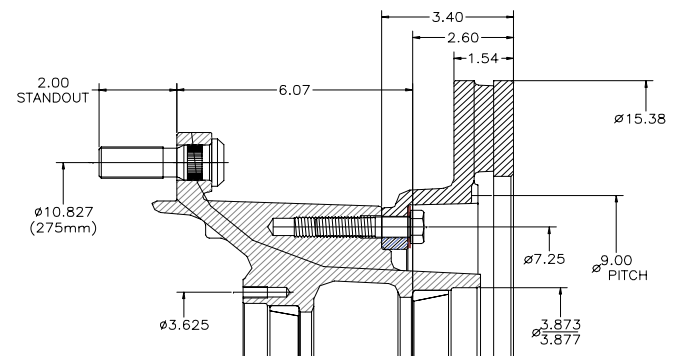


Walther Engineering and Manufacturing Co., Inc.

Part Number	Application	Standout	Lbs.	Bolts
Front Hub/Rotor Assy				
01-00023-002	front hub, 9K axle	2.11	58	02-00051
01-00023-132	ABS front hub/rotor assy, 9K axle	2.11	103	02-00051



Part Number	Application	Standout	Lbs.	Bolts
Front Hub/Rotor Assy				
01-00073-002	front hub, 9K axle	2.00	53	02-00051
01-00073-132	ABS front hub/rotor assy, 9K axle	2	97	02-00051



Component Parts for 01-00023's

07-00021	rotor	44
02-00049	capscrew, 3/4-10, 2.25" length	
02-00007	washer	
KJM207010	bearing cup - inner bore	
25820	bearing cup - outer bore	

Component Parts for 01-00073's

07-00071	rotor	43
02-00026	capscrew, 9/16-12, 2.43" Length	
02-00002	washer	
KJM207010	bearing cup - inner bore	
25820	bearing cup - outer bore	

Component Parts for 01-00083's

07-00081	rotor
02-00082	capscrew, 9/16-12
02-00002	washer

Front Hub/Rotor Assy

01-00083-002	front hub, 12K axle	1.78	47	02-00051
01-00083-132	front hub/rotor assy, 12K axle		92	02-00051

